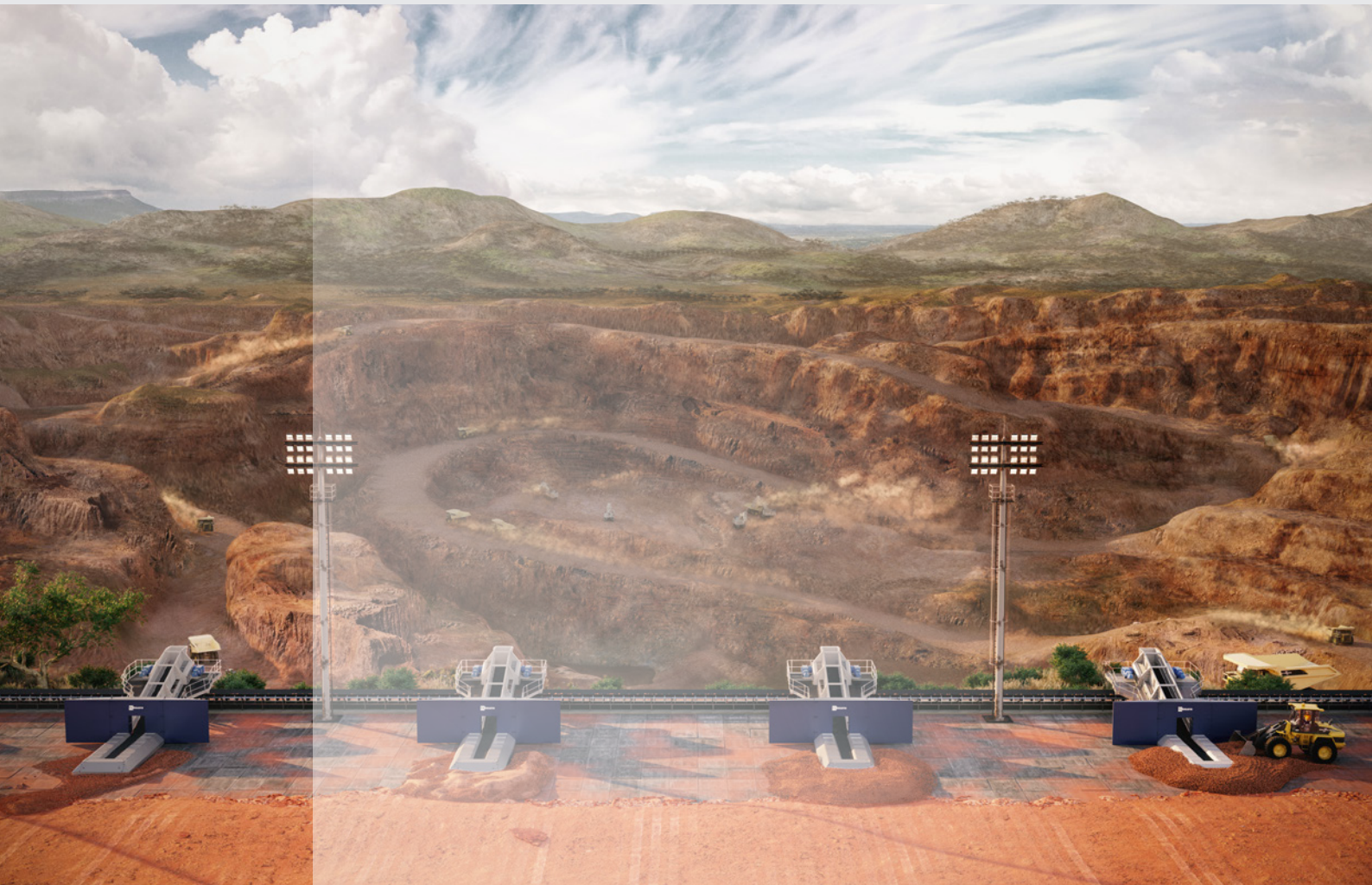


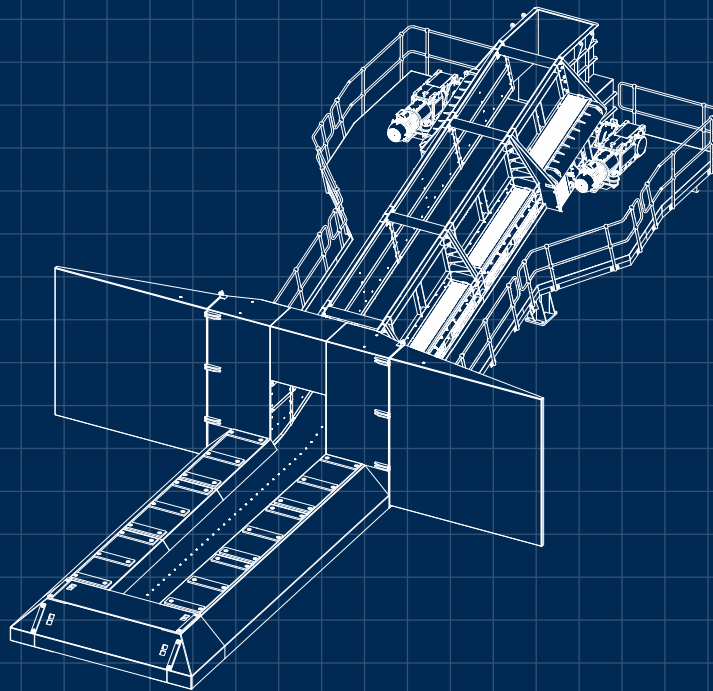
Hybrid Apron Belt (HAB) Feeder

Modular belt-over-apron
solution for abrasive
materials



Demanding applications made easy

Designed specifically for your abrasive materials, the FLSmidth Hybrid Apron Belt (HAB) Feeder is the first of its kind – a hybrid belt-over-apron feeder that delivers the advantages of both technologies, along with a low-profile loading deck and a completely modular design. It joins our full line of productive and efficient feeders, feeder breakers and sizers – the result of 40-plus years of experience as a market-leading designer and manufacturer.



Key benefits

- Reliable and cost-effective
- heavy-duty design for
a long service life

- Safe and easy to operate
- comprehensive safety features
and simple maintenance

- Flexible and efficient
- customisable, modular, semi-mobile
and small installation footprint

Versatile design with plug-and-play simplicity

Our HAB feeders offer customisable solutions in a modular design for easy installation, quick start-up and onsite flexibility.

Multiple applications for the stockyards and industry

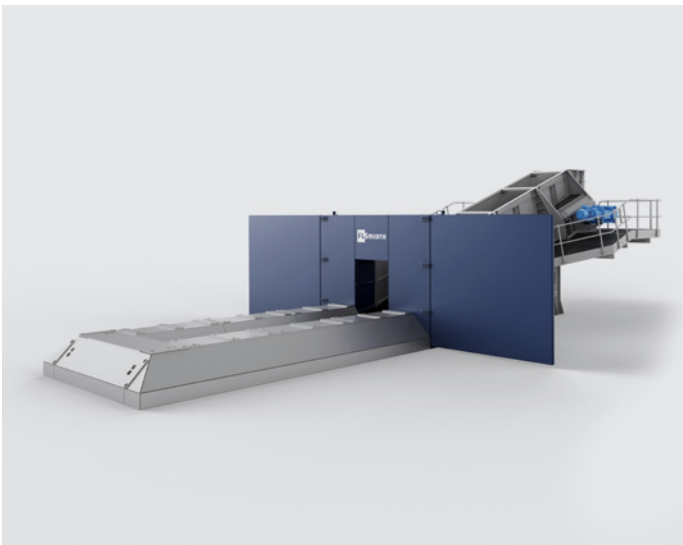
The HAB Feeder is a robust piece of equipment that offers the strength of an apron feeder with the spillage control benefits of a conveyor system. It provides an affordable solution for feeding abrasive materials, such as mineral sands, iron ore and bauxite and stockyard management operations. The low-profile loading deck easily accommodates different types of loading methods, including direct truck tipping, side tipping, front-end loading, dozing and ROM bypass tips, to prevent double handling.

Modular design

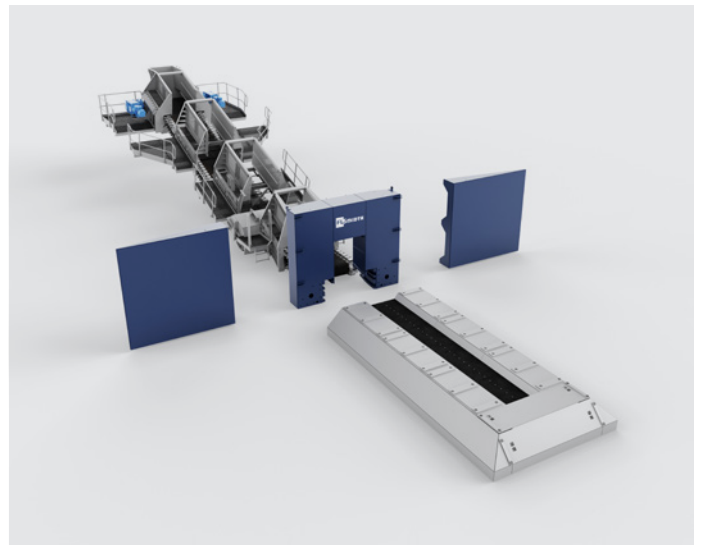
The HAB Feeder's modular design allows for transportation within a standard-size container, simplifying freight solutions to remote locations around the globe. Modularity also allows for specific discharge heights, depending on the required application. Its semi-mobility offers multiple solutions in terms of application demands.

Features and advantages

- The HAB Feeder is specifically designed for abrasive materials, feeding at an adjustable rate onto conveyor belts and sizers.
- The unique hybrid belt-over-apron feeder design delivers the advantages of both apron and belt feeding, and it excels in sticky materials, including sludge.
- The wide, "kinked," fast-moving deck features a horizontal loading area and an inclined section for feeding onto other equipment – with no complex civil construction required.
- Fully modular, the HAB Feeder can be installed anywhere close to a stockpile, with minimal site prep. Modularity accommodates different discharge heights and loading applications, as well as flexibility for alterations to meet different applications.
- All ancillary equipment is installed onboard – the HAB Feeder only needs a power source to operate.
- Semi-mobility supports onsite relocation or repositioning for improved efficiency. Moving the feeder is as easy as maneuvering it using standard stockyard equipment.



Low profile deck



Advanced modularity

Ready, reliable, safe and sure

Modularity and built-in special features on our HAB Feeders offer safety and ease for operators and maintenance personnel alike.

Safety by design

- Kink module allows for elevated discharge with flat loading deck.
- Different deck lengths can be bolted on to kink module.



- Lengths of wing wall can be customized according to application.
- Wing walls can be folded in during relocation of the HAB Feeder.



- Welding plugs, start-up alarm, emergency stops and auto lubrication system will be allocated on the side of the neck module.

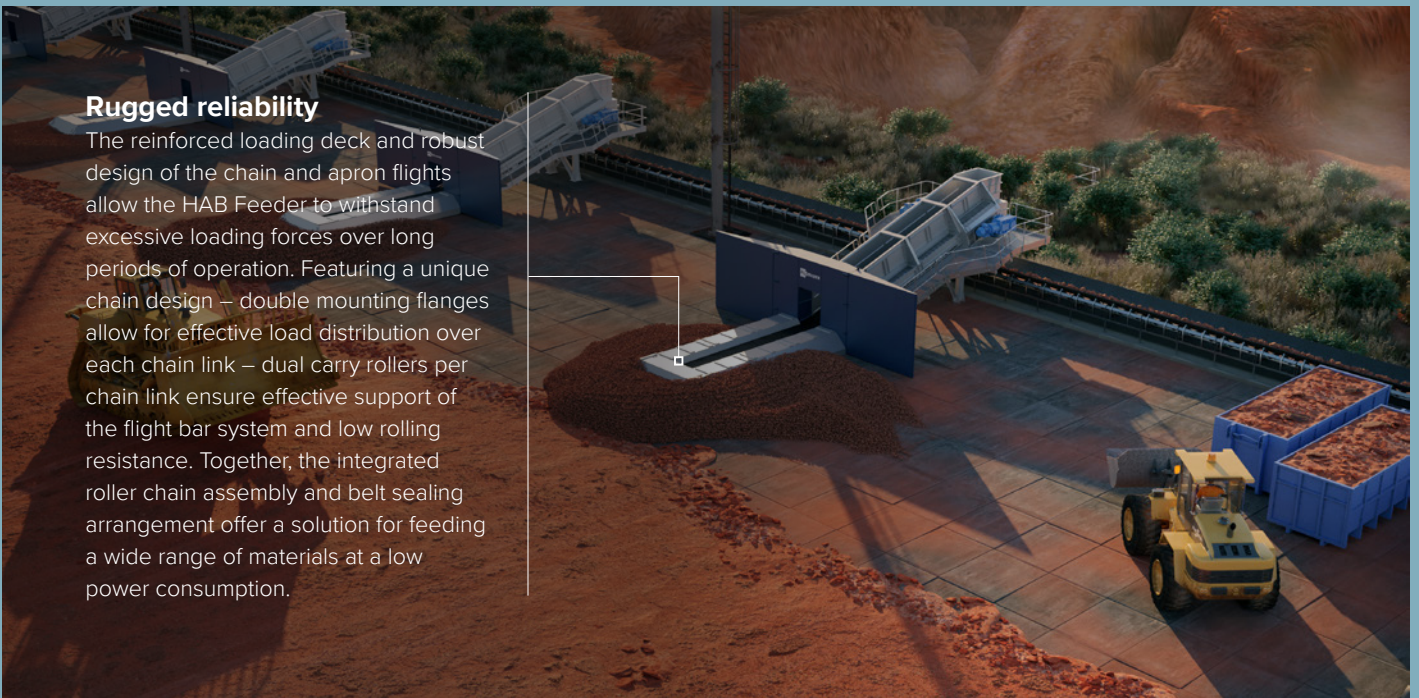
- Reinforced loading deck can withstand the forces during feeding and stockpiling.
- Bumper bar under flight to absorb loading forces.





Maintenance-friendly

Access hatches provide ease of maintenance for the deck, chains, belt and apron flight bars. Bearings are lubricated from an accessible auto lube system. Onboard power sockets further assist maintenance personnel.



Rugged reliability

The reinforced loading deck and robust design of the chain and apron flights allow the HAB Feeder to withstand excessive loading forces over long periods of operation. Featuring a unique chain design – double mounting flanges allow for effective load distribution over each chain link – dual carry rollers per chain link ensure effective support of the flight bar system and low rolling resistance. Together, the integrated roller chain assembly and belt sealing arrangement offer a solution for feeding a wide range of materials at a low power consumption.

Made for (semi) mobility

The HAB Feeder is easily relocated using standard stockyard equipment. For absolute onsite flexibility and increased mobility, the modular HAB Feeder can be fitted with wheels or skids. The transformer and motor control centre (MCC) are located onboard the feeder; only the power supply needs to be isolated before relocating the unit.



1
Skids



2
Wheels

Customer service & spare parts

We approach your project not as suppliers, but as partners invested in your success, ready to provide total lifecycle support to help your plant achieve its full potential.



At FLSmidth, we offer full after sales support for all equipment supply. Installation, commissioning, maintenance contracts and supervision are all available to all customers.

Spare parts are available 24 hours per day, 7 days per week. Our global presence allows us to execute maintenance and repairs quickly and efficiently.

Technical services

- Erection and commissioning
- Operations and maintenance
- Expert services
- Technical assistance
- Training

Products & parts

- Original OEM spares
- Product review and improvement
- Lifecycle analysis
- Repairs and refurbishments
- Retrofits

Engineering services

- Equipment audits
- Process audits
- Testing
- Erection supervision
- Training

Site services

- Project and construction management
- Plant maintenance
- Asset management
- Plant operations



Our HAB Feeder experts
are ready to help you.
Contact them at:

✉ info@flsmidth.com



Learn more about the
HAB Feeder and other material
handling solutions

📄 <https://flsmidth.io/HAB-b>



Learn from our experts

Subscribe to our
Discover Mining magazine at
[www.flsmidth.com/
discover-magazine](http://www.flsmidth.com/discover-magazine)

Minerals Technology Center

FLSmidth Inc.
7158 S. FLSmidth Drive
Midvale, UT 84047-5559
USA

Tel: +1 801 871 7000
Fax: +1 801 871 7001
E-mail: info.sl.c@flsmidth.com

For more locations and contact details go to
<https://www.flsmidth.com/en-gb/offices>

Copyright © 2019 FLSmidth A/S. ALL RIGHTS RESERVED. FLSmidth is a registered trademark of FLSmidth A/S. This brochure makes no offers, representations, or warranties (express or implied), and information and data contained in this brochure are for general reference only and may change at any time.

Bringing better solutions to light

in the cement and mining industries

The future is full of possibilities, and you are leading the way. But it's never a straight journey, and it's easy to lose sight of true potential. With an ally by your side, who shares your ambitions and who sees your world from different angles, we will find the right way together.

For more than 135 years, we have challenged conventions and explored opportunities. Across more than 50 countries, we are 13,000 employees who combine our unique process knowledge on projects, products, and services to drive success. We develop the most advanced technology in our industries and offer market-leading product and service ranges.

Rooted in Danish values, we activate our knowledge and experience to navigate your complexity and bring better solutions to light. So no matter where in the world you are, we are here to help you discover new ground and achieve sustainable productivity enhancement.

We are the market-leading supplier of engineering, equipment, and service solutions to customers in the global mining and cement industries.

We discover potential.

-  [flsmidth.com/linkedin](https://www.flsmidth.com/linkedin)
-  [flsmidth.com/twitter](https://www.flsmidth.com/twitter)
-  [flsmidth.com/facebook](https://www.flsmidth.com/facebook)
-  [flsmidth.com/instagram](https://www.flsmidth.com/instagram)
-  [flsmidth.com/youtube](https://www.flsmidth.com/youtube)

FLSmidth A/S
Vigerslev Allé 77
DK-2500 Valby
Copenhagen

Tel: +45 3618 1000
Fax: +45 3630 1820
E-mail: info@flsmidth.com