

## Product datasheet

# Gyratory crusher wear plates Spider cap and shield upgrades

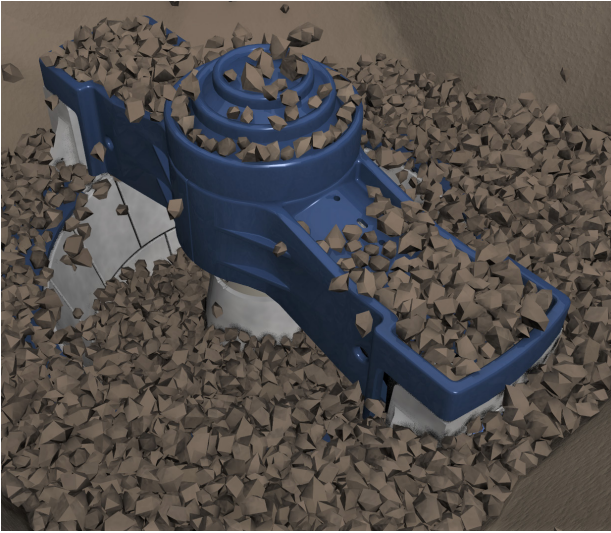
### Delivering more than wear parts

By their very nature, wear parts are designed to protect your investment from abrasion and high-impact damage – and over time, they must be replaced. Our certified wear plates for gyratory crusher spider assemblies are of the highest quality and are designed to maximise your productivity through greater uptime.

### Benefits

- Increased uptime
- Reduced OPEX
- Longer wear life
- Retrofittable

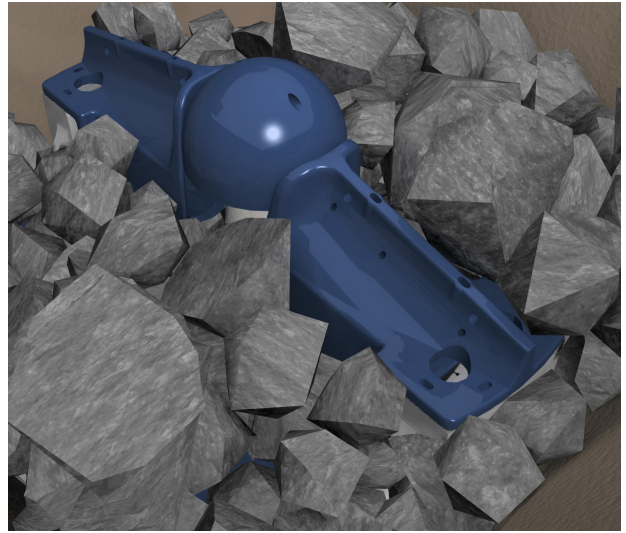
## High abrasion application



Wear plates for high-abrasion applications comprise a spider hub and optional underside liner, which completely cover the spider to protect assembly from wear, even in the most abrasive applications.

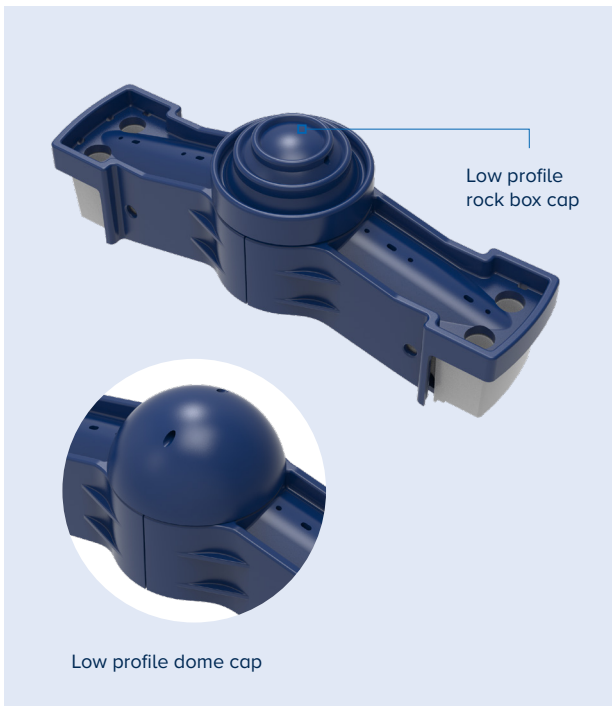
- Heavy-duty rock box within the arm guard establishes a material impact bed designed to improve liner life
- Shield extends farther down for maximum spider coverage
- Low-profile cap design reduces the risk of dislodging during truck dumps

## Blocky feed application



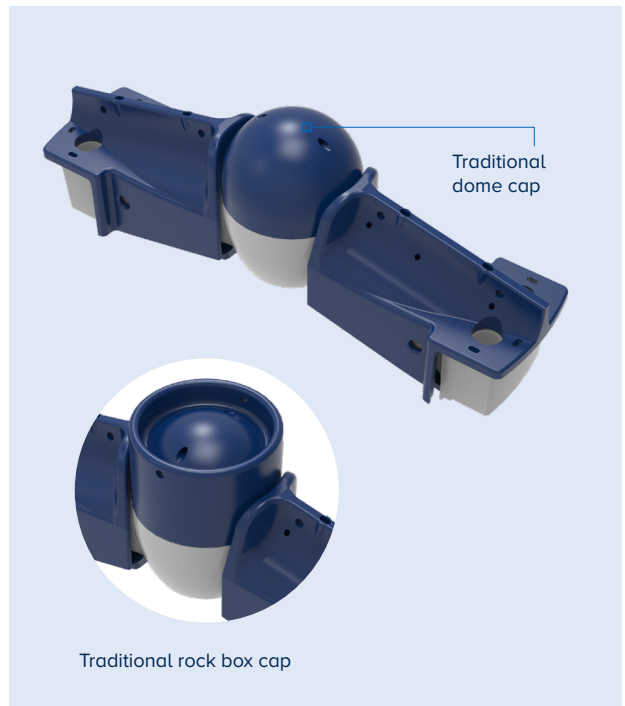
Blocky feed often leads to bridging. The ridgeline design of this wear plate style features a prominent peak that will split feed around the plates, improving flow into the crushing chamber.

- Steep design and peaked ridge minimise material hang-up, especially with blocky feed material
- Shield wraps the spider cap and assist in deflecting large rocks to prevent dislodging during truck dumps
- Extended sides on the shield improve spider coverage without impeding the feed opening



Low profile rock box cap

Low profile dome cap

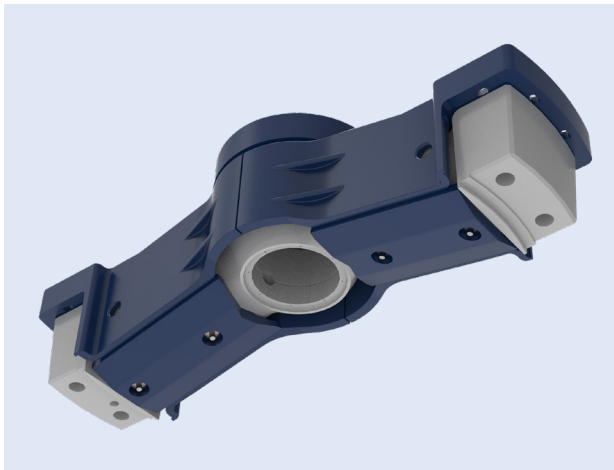


Traditional dome cap

Traditional rock box cap

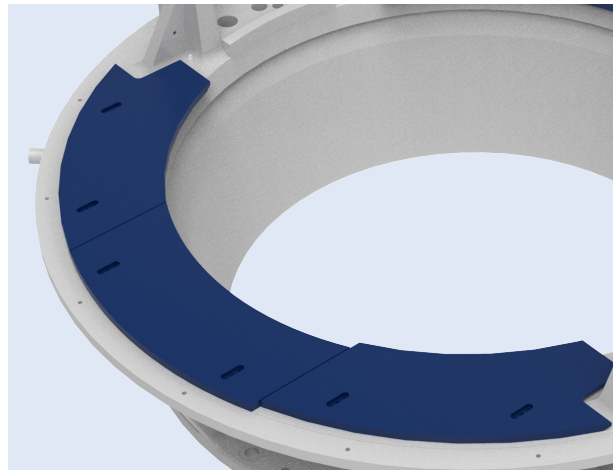
### Underside wear liners

- Provide additional wear protection on underside of the spider
- Useful for choke-feed applications, which regularly bury the spider with feed material
- Compatible with both high-abrasion and ridgeline-design spider shields



### Top shell wear plates

- Allow for inward adjustment as edges wear, increasing usable life
- Designed in multiple segments for independent movement, permitting finely tuned adjustments on dump locations



### Solutions for FLS gyratory crushers

	1100 x 1800
	1300 x 1800
<b>TS Model Crushers:</b>	1400 x 2100
	1600 x 2400
	1600 x 2900
	1600 x 3000
<b>NT Model Crushers:</b>	60 x 89
	60 x 113NT/UD

### The option to customise

We provide tailored solutions for any model and size of equipment that may require a customised approach.

### Our services also include:

- Crushing chamber optimisation
- Repair and service contracts
- Safety and maintenance tools

**FLSmidth A/S**  
2500 Valby  
Denmark  
Tel. +45 3618 1000  
info@flsmidth.com

[www.flsmidth.com](http://www.flsmidth.com)

**FLSmidth Inc.**  
Salt Lake City Operations  
Midvale, UT 84047  
USA  
Tel. +1 801 871 7000  
info.sl.c@flsmidth.com

Copyright © 2023 FLSmidth A/S. All Rights Reserved. FLSmidth and FLS are (registered) trademarks of FLSmidth A/S. This brochure makes no offers, representations or warranties of any kind (express or implied), and information and data contained in this brochure are for general reference only and may change at any time. FLSmidth does not guarantee or make any representation regarding the use or the results of the information or the data provided in the brochure in terms of its correctness, accuracy, reliability or otherwise, and shall not be liable for any loss or damage of any kind incurred as a result of the use of the information or data provided in the brochure.