

Product datasheet

Circular Vibrating Screen CK 1002 / CK 1003 / CK 1004

Advanced screen technology

Our circular vibrating screens are used for screening rock, ore and similar bulk materials, as well as in recycling and waste disposal. The size of the machines is tailored to your requirements and installation conditions. Our screens can handle higher throughput rates and meet demands for accurate separation according to grain size.

Efficient screening

Screen cloths

- Perforated plates, polyurethane panels or woven wire available
- The design permits the use of screen covers made by different manufactures
- Mesh size can be adapted to the requirements of a certain application

Adjustability

- Modifiable stroke up to 13 mm by unbalanced weights
- Adjustable rotational speed

Screen tray

- Bolted design without any welding at the side walls ensures maximum fatigue strength

Vibration isolation

- Mitigation of dynamic loads by steel springs

Roller bearings

- Special spherical roller bearings for high vibrations

Drive

- V-belt drive with protection hood

FLS

Circular Vibrating Screen CK 1002 / CK 1003 / CK 1004

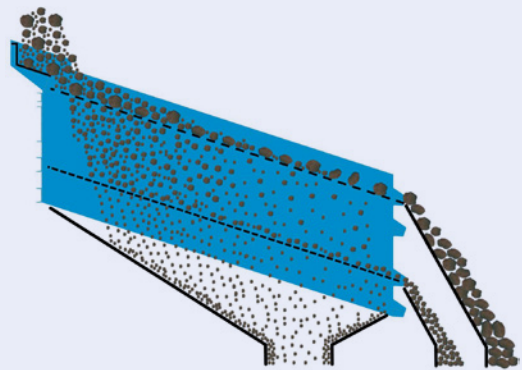
Options

- Dedusting hood

Technical specification

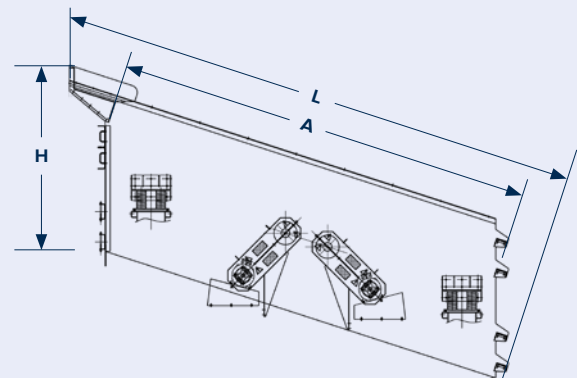
General data	
Materials	Limestone, ore, quartzite, etc.
Maximum feed size	200 mm edge length
Screen	
Type of screen	Circular-motion
Screen area dimensions (a x b):	5,600 mm x 1,850 mm
Screening area (per deck)	10.5 m ²
Number of screen decks	2, 3 or 4
Screen covering	Perforated plate, polyurethane or woven wire
Inclination	18°
Number of shafts	2
Vibration isolation	Steel springs
Main dimensions (l x w x h)	– 2 decks: 6,790 mm x 2,550 mm x 1,500 mm – 3 decks: 6,920 mm x 2,550 mm x 1,900 mm – 4 decks: 7,050 mm x 2,550 mm x 2,300 mm
Total weight	– 2 decks: Up to 7.0 mt – 3 decks: Up to 8.8 mt – 4 decks: Up to 10.3 mt
Drive	
Drive concept	V-belt
Motor power	– 2 decks: 2 x 9 kW – 3 decks: 2 x 11 kW – 4 decks: 2 x 11 kW

Working principle

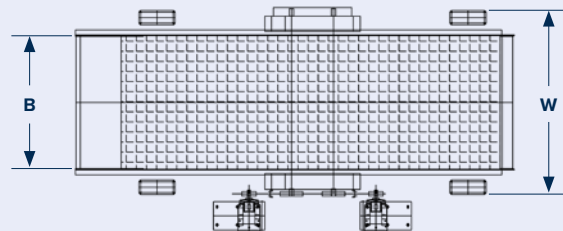


Main dimensions

Side view



Top view



FLSmidth A/S
2500 Valby
Denmark
Tel. +45 3618 1000
info@flsmidth.com

www.flsmidth.com

FLSmidth Inc.
Salt Lake City Operations
Midvale, UT 84047-5559
USA
Tel. +1 801 871 7000
info.sl@flsmidth.com

FLSmidth Mining Technologies GmbH
Ennigerloh Operations
59320 Ennigerloh
Germany
Tel. +49 201 828 3000
mining-technologies@flsmidth.com

Copyright © 2023 FLSmidth A/S. All Rights Reserved. FLSmidth and FLS are (registered) trademarks of FLSmidth A/S. This brochure makes no offers, representations or warranties (express or implied), and information and data contained in this brochure are for general reference only and may change at any time.