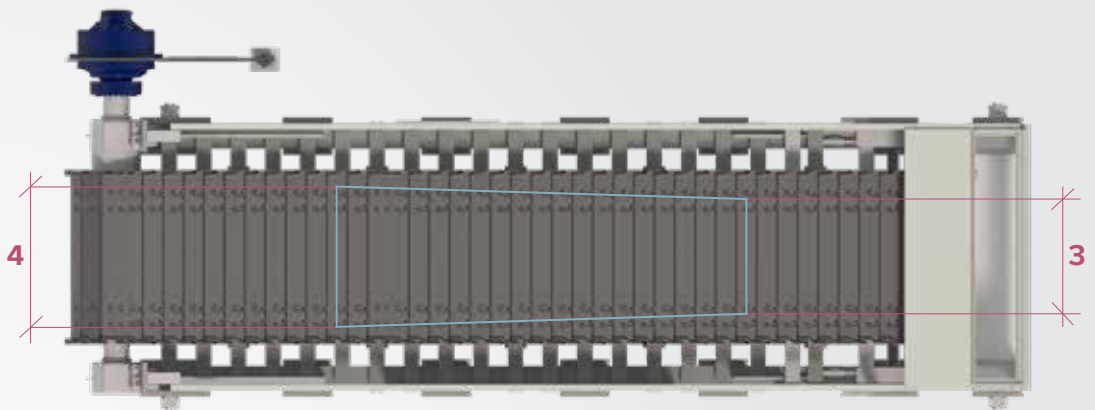
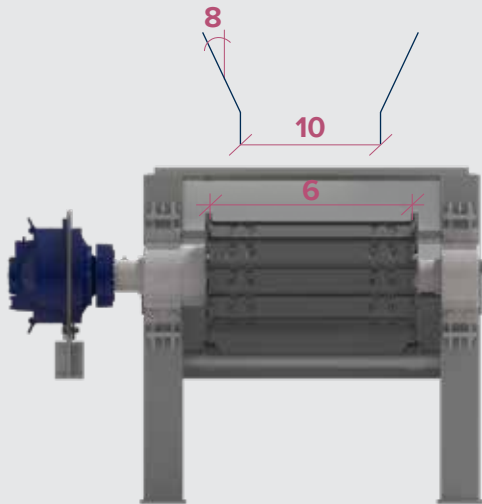
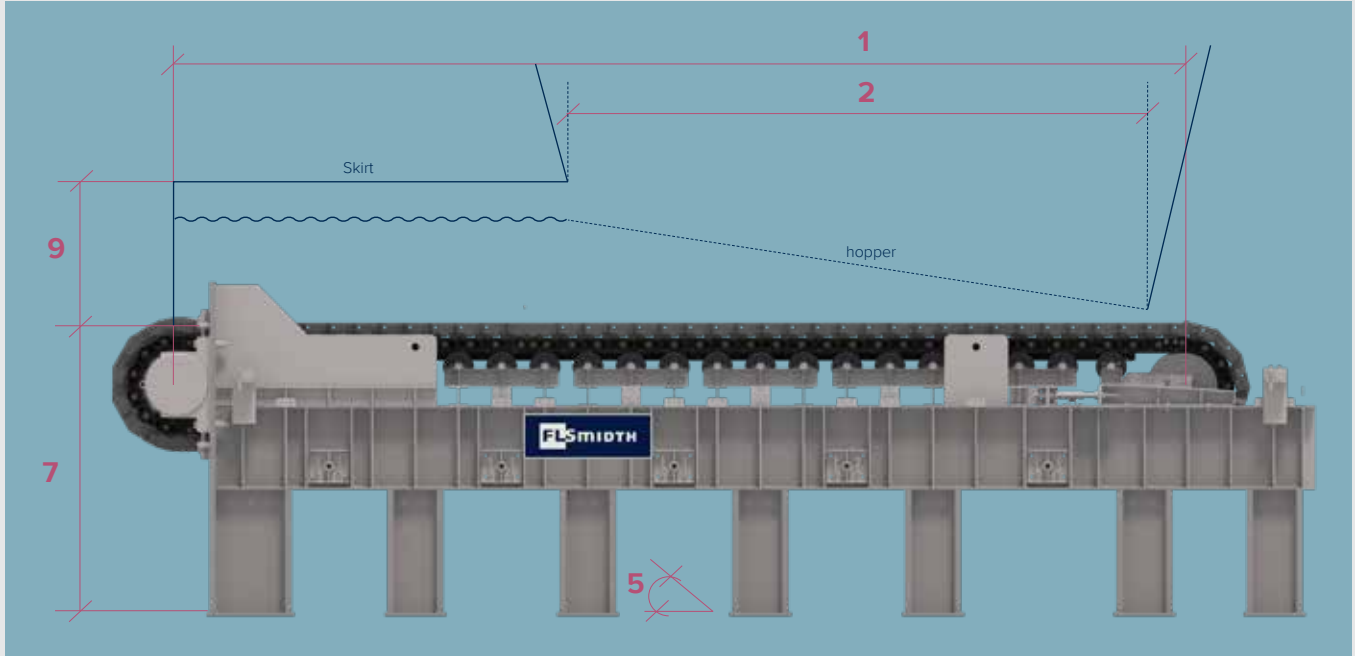


Apron data collection

FLSmidth would be pleased supporting your project and create a proposal to fit with your application. Please provide us with information requested hereafter.



Apron feeder data collection and sizing



Material data	Unit	Value
Bulk material		
Density bulk	t/m ³	
Density block	t/m ³	
Moisture	%	
Lump size average	mm	
Lump size max	mm	
Angle of repose	deg	
Technical data		
Capacity	tph	
Type of drive	hydraulic <input type="checkbox"/>	electric <input type="checkbox"/>
Dribble collection	dribble chute <input type="checkbox"/>	dribble conveyor <input type="checkbox"/>
Measurements required		
1. Length between centres	mm	
2. Hopper opening length	mm	
3. Width of feed hopper at rear end	mm	
4. Width of feed hopper at front end	mm	
5. Feeder inclination	deg	
6. Pan width	mm	
7. Height between floor and top of AF deck	mm	
8. Hopper side slope angles	deg	
9. Side skirt height	mm	
10. Width inside skirts	mm	

FLSmidth
Wiesbaden GmbH
 Am Klängenweg 4a
 65396 Walluf
 Germany
 Tel: +49 6123 975 300
 Fax: +49 6123 975 398
 E-mail: Apronfeeder@flsmidth.com

FLSmidth USA Inc. - Salt Lake City
Operations
 7158 S. FLSmidth Drive
 Midvale, UT 84047-5559
 USA
 Tel: +1 801 871 7000
 Fax: +1 801 871 7001
 E-mail: apronfeeder@flsmidth.com

Copyright © 2018 FLSmidth A/S.
 ALL RIGHTS RESERVED. FLSmidth is a (registered) trademark of FLSmidth A/S. This brochure makes no offers, representations or warranties (express or implied), and information and data contained in this brochure are for general reference only and may change at any time.