

One Source

KREBS® CycloClean® Vessel & Module Systems



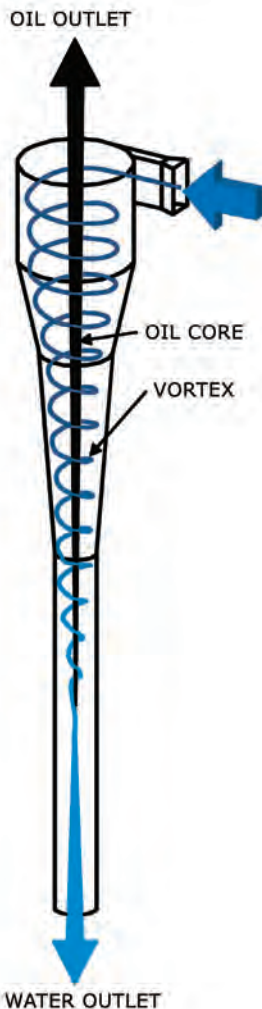
Go with flow flexibility.
Go with CycloClean™ systems.

FLSMIDTH
KREBS

Separation technology

CycloClean System Applications

- Remove Oil from runoff water
- Remove Oil from quench water in steel mills
- Remove Coolant in machining processes
- Remove Oil from bilge water
- Remove Organic from Raffinate in SX applications
- Remove Organic from Electrolyte in SX applications



Krebs® CycloClean® systems and modules are a step above. Installed as either vessels or inline manifolds, FLSmidth Krebs delivers space saving solutions for your oily water separation applications regardless of the flow rate.

Our advanced hydrocyclone and system designs, combined with unparalleled application experience, provide a performance edge that's hard to beat. Krebs CycloClean® Systems and Modules offer significant performance features in a small complete package to meet a wide range of objectives.

Pure and simple

The deoiling hydrocyclones used on Krebs CycloClean® Systems and Modules use centrifugal force to physically separate oil or solids from water or water based solutions.

Water, mixed with oil, is fed tangentially into the hydrocyclone. The oily water starts to spin within the hydrocyclone. As the mixture flows through the unit, it accelerates sending the lighter oil to the center for removal through the overflow. Cleaned water reports to the underflow.

Go with the flow flexibility

With Krebs, you have the flexibility to add optional features to any hydrocyclone system. From surface skimmers and feed pumps to level switches and recycle valves and with timers. Krebs CycloClean® systems also includes waste oil tanks and air spargers as options.

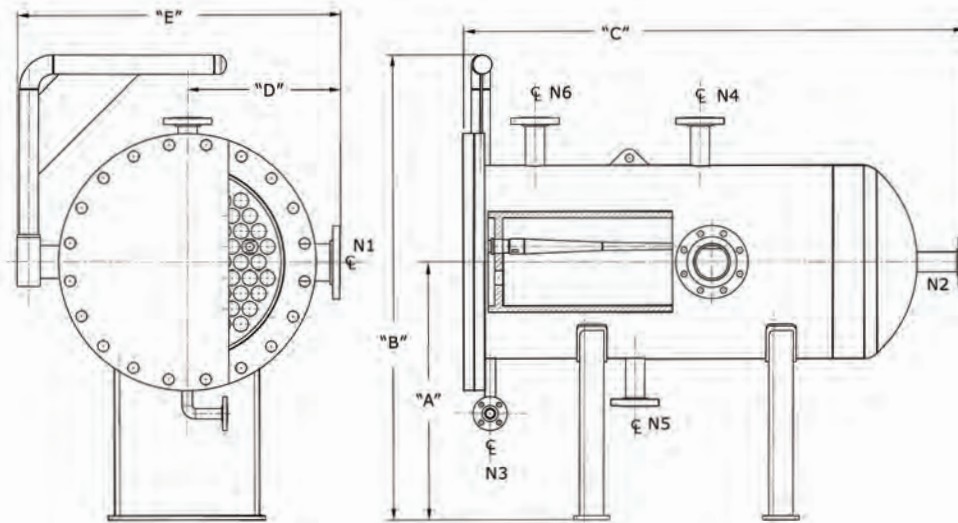
Each module comes standard with a debris strainer, feed pump (air operated or electric), deoiling hydrocyclone and base plate. Krebs offers a line of Modules to treat from 8 to 25 gpm. Along with low maintenance reliability and low cost flexibility to handle your separation needs. Krebs is the only way to go.





CycloClean® systems leave the competition standing still

Krebs CycloClean® Vessel Data										
Model	L4008	L4012	L4016	L4018	L4020	L4024	L4030	L4036	L4042	L4048
No. of Cyclones	7	19	33	44	55	85	134	202	276	376
Vessel Diameter, in.	8	12	16	18	20	24	30	36	42	48
Nominal Flow, gpm*	59	160	277	370	462	714	1126	1697	2318	3158
Wt.	Dry Weight, lb.	550	840	1090	1220	1550	1860	2910	4240	7400
	Flooded Weight, lb.	650	1125	1500	2050	2500	3360	4840	6700	11000
Dimensions, in.	A	24	24	24	30	30	30	40	40	40
	B	48	48	48	54	54	54	72	72	72
	C	60	60	60	65	65	65	67	67	67
	D	8	10	14	15	16	18	21	24	27
	E	24	28	36	38	42	46	54	62	67
Nozzle Sch., in.	N1 Feed	2	3	4	4	6	6	8	8	10
	N2 Clean Aqueous	2	3	4	4	6	6	8	8	10
	N3 Organic	1.5	1.5	1.5	1.5	2	2	2	2	2
	N4 Vent	2	2	2	2	2	2	2	2	2
	N5 Drain	2	2	2	2	2	2	2	2	2
	N6 PSV	1	1	1	1	1	1	1	1	1



Superior support, it's all part of the process.

For over 60 years FLSmidth Krebs has been the leader in hydrocyclone solutions. Our engineering support is recognized throughout the process industry for exceptional technical competence and responsive customer service.

Industrial-Strength Dependability

Krebs hydrocyclones have proven themselves for reliable operation time and again. Our hydrocyclone technology is the standard in many industries - a testament to the durability and dependability of our equipment even in the most demanding process environments.

Put us to the test

The proof of the product is in the performance. That's why FLSmidth Krebs offers multi-level testing in both on-site and off-site settings.

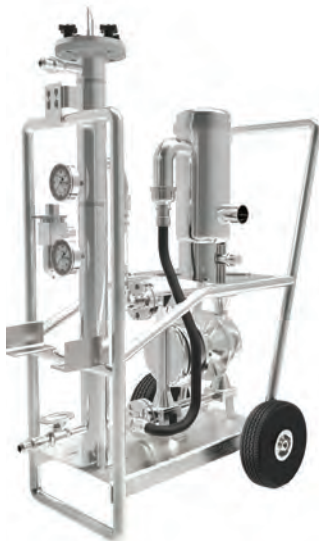
We invite you to put us to the test in your process operation. For more information on our Test Program for Separation Solutions, call +1-520-744-8200 or visit our website at www.flsmidthkrebs.com.

KREBS® CycloClean® Modules

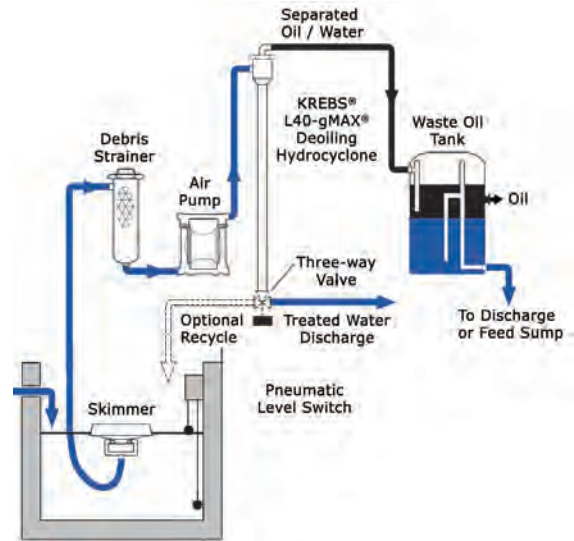
www.flsmidthkrebs.com

Krebs CycloClean® Module Data Chart

		KCM-8	KCM-8P	KCM-16	KCM-16P	KCM-25	KCM-25P
SPECIFICATIONS	MODEL NO.	KCM-8	KCM-8P	KCM-16	KCM-16P	KCM-25	KCM-25P
	Nominal Flow (gpm)	8	8	16	16	25	25
	Maximum Allowable Water Temp °F	110° F	110° F	110° F	110° F	110° F	110° F
	Fluid PH	5 - 9	5 - 9	5 - 9	5 - 9	5 - 9	5 - 9
	Maximum Discharge Oil Pressure	7 psi (50kPa)	7 psi (50kPa)	7 psi (50kPa)	7 psi (50kPa)	7 psi (50kPa)	7 psi (50kPa)
	Maximum Discharge Water Pressure	22 psi(150kPa)	22 psi(150kPa)	22 psi(150kPa)	22 psi(150kPa)	22 psi(150kPa)	22 psi(150kPa)
	Air Usage at 65 psi (450kPa) (scfm)	12	12	15	15	20	20
Typical Compressor Capacity (scfm)	15	15	22	22	30	30	
DIMENSIONS	MODEL NO.	KCM-8	KCM-8P	KCM-16	KCM-16P	KCM-25	KCM-25P
	Height	49" [1245mm]	49" [1245mm]	49" [1245mm]	49" [1245mm]	49" [1245mm]	49" [1245mm]
	Width	15" [381mm]	18" [457mm]	17" [432mm]	20" [508mm]	17" [432mm]	20" [508mm]
	Length	22" [559mm]	25" [635mm]	28" [711mm]	33" [838mm]	28" [711mm]	33" [838mm]
	Feed Inlet Connection	1" [25mm]	1" [25mm]	2" [50mm]	2" [50mm]	2" [50mm]	2" [50mm]
	Water Outlet Connection	1" [25mm]	1" [25mm]	1" [25mm]	1" [25mm]	1" [25mm]	1" [25mm]
	Oil Outlet Connection	1" [25mm]	1" [25mm]	1" [25mm]	1" [25mm]	1" [25mm]	1" [25mm]
	Bare Weight	127# [58kg]	327# [148kg]	226# [103kg]	426# [193kg]	226# [103kg]	426# [193kg]



KCM modules available in Portable and Fixed Configurations



Tucson, Arizona USA
Tel: +1 520 744 8200
E-mail: krebs@flsmidth.com

Neusiedl am See, Austria
Tel: +43 2167 3345
krebs@flsmidth.com

Beijing P.R. China
Tel: +86-10 8468 9100
krebschina@flsmidth.com

Johannesburg, South Africa
Tel: +27 (0)10 210 4750
krebsafrica@flsmidth.com

Queensland, Australia
Tel: +61 7 5519 5700
krebsaustralia@flsmidth.com

Sao Paulo, Brasil
Tel: +55-15-3416-7400
krebsbrasil@flsmidth.com

Chennai, India
Tel: +91 44 4748 1000
krebsindia@flsmidth.com

www.flsmidthkrebs.com

Western Australia
Tel: +61 8 6258 4800
krebsaustralia@flsmidth.com

Santiago, Chile
Tel: +56 2 2463 8350
krebschile@flsmidth.com

Manila, Philippines
Tel: +63-2-687-9251
Krebs-Philippines@flsmidth.com

