

## Product datasheet

# Gyratory crusher tooling Spider lifting hook

You regularly remove the spider assembly as part of necessary maintenance, so why not make the process easier on everybody? Lift your spider assembly quicker and safer than ever before with our spider lifting tool.

We develop our line of crusher tooling to overcome problems experienced at sites like yours. Our novel twist hook design is the result of reviewing existing operations, analysing shortcomings and finding solutions. After working with maintenance crews to experience the difficult and time consuming process of removing the spider assembly, our team committed to find a better way. The resulting spider lifting hook simplifies your lift for quicker and safer maintenance.

### Benefits

- Improves safety.
- Less human interaction.
- Reduces time of shutdown.
- Available for any make of gyratory crushers.

### Features

- Enclosed fit eliminates risk of load sliding.
- No required checks for weight or pick points.
- Handles tight spaces with restricted overhead crane movement.

# The upgrade you need to simplify maintenance and increase safety

## Our tooling solution

Our spider lifting hook simplifies the removal of your spider assembly. Easily connect the tool to your crane, lower it into the chamber and twist the lift bars to align them snugly under the spider. Once you remove the spider nuts and loosen the fit, the assembly lifts cleanly from the shell to its maintenance cradle.

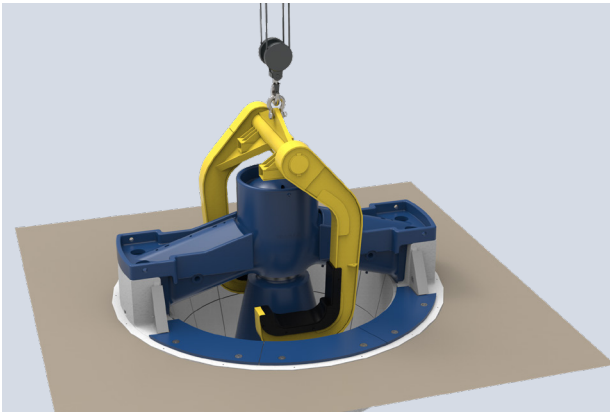
This elegant tooling solution increases safety and efficiency to reduce your downtime. It transforms your entire crusher shutdown experience.

## Improved maintenance and safety

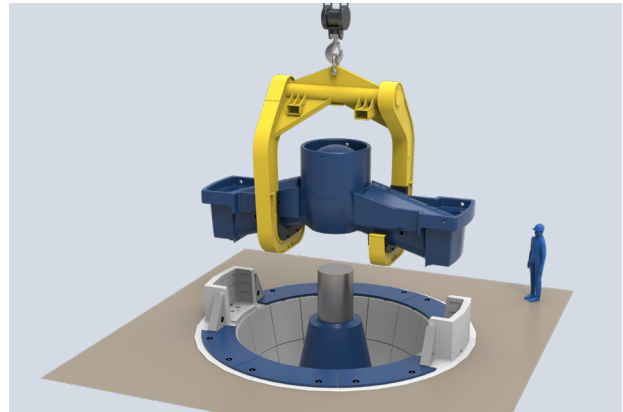
- Simplifies the lifting rigging necessary.
- Removes personnel from the transport task.
- Minimises the shutdown, increasing production time.

## Upgrade package

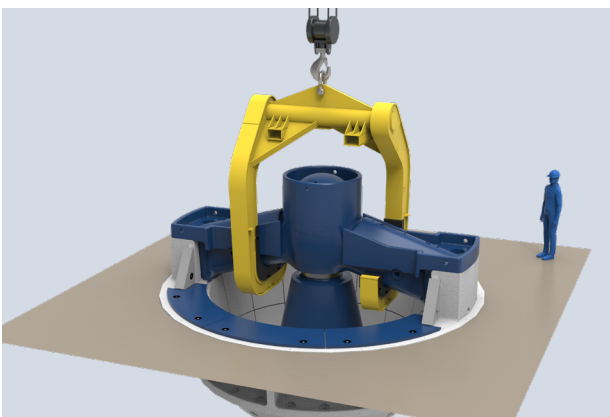
- Spider lifting hook.
- Maintenance stand for spider assembly
- Spider lifting hook cradle.



1. Spider lifting hook lowered over spider assembly



3. Spider assembly being lifted with hook



2. Spider lifting hook positioned for lifting



Spider lifting hook cradle (left) and spider assembly on maintenance stand (right)

**FLSmidth A/S**  
2500 Valby  
Denmark  
Tel. +45 3618 1000  
info@flsmidth.com

[www.flsmidth.com](http://www.flsmidth.com)

**FLSmidth Inc.**  
Salt Lake City Operations  
Midvale, UT 84047  
USA  
Tel. +1 801 871 7000  
info.sl.c@flsmidth.com

Copyright © 2023 FLSmidth A/S.  
All Rights Reserved. FLSmidth and FLS are (registered) trademarks of FLSmidth A/S. This brochure makes no offers, representations or warranties (express or implied), and information and data contained in this brochure are for general reference only and may change at any time.