

# KREBS® millMAX-e™ pump

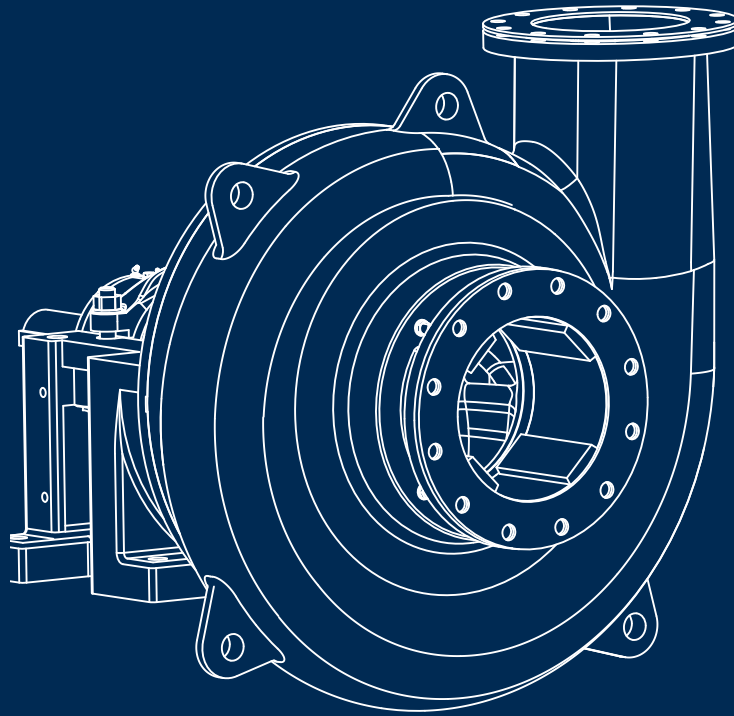
## Advanced slurry pump technology



**FLS**

# Advanced slurry pump technology

It is becoming increasingly important for mining operations to reduce power consumption, while maintaining wear life. Our millMAX-e™ pump optimizes wear life and saves in both power and total cost for applications throughout the plant.



## Key benefits

- Even and predictable wear life for wet end parts
- Optimized space utilization
- Increased efficiency
- Reduced capital cost
- Easy maintenance

# Revolutionizing slurry pump efficiency

## millMAX-e™ pumps

Like all the pumps in the KREBS® family, the millMAX-e™ pump includes our proprietary suction side sealing system - the wear ring. Our unique design solves both the grinding and recirculation problems within the pump by maintaining clearances between the impeller and the suction side. By maintaining the design performance without increasing the speed, the wear ring feature extends the life of all wet end parts and reduces power consumption.

## Even and predictable wear life for wet end parts

With predictable wear life, millMAX-e™ pumps match your maintenance cycle to provide less downtime, lower inventory requirements and fewer maintenance shutdowns.

## Optimized space utilization

We understand the challenges of space constraints when designing a pumping system. We also know that the answer for the most cost efficient, space saving design isn't always your average heavy-duty split-case pump. The answer is our millMAX-e™ slurry pump that optimizes space utilization with its unlined, compact design.

## Reduced capital cost

The decreased total weight of the unlined wet end design and innovative internal components combine to reduce capital and replacement part costs. The hydraulically advanced impeller and overall efficient design often allow you to downsize your motor, which serves to further minimize costs.

## Increased efficiency

The millMAX-e™ features tight clearances between the impeller and casing to limit recirculation and significantly increase efficiency. Because the millMAX-e™ maintains a constant flow and pressure and does not grind particles, it naturally lasts longer and consumes less power. Additionally, because the power frame utilizes the same bearing and shaft components as the equivalent millMAX power frames, the millMAX-e™ can handle applications requiring high speed and power.

## Easy maintenance

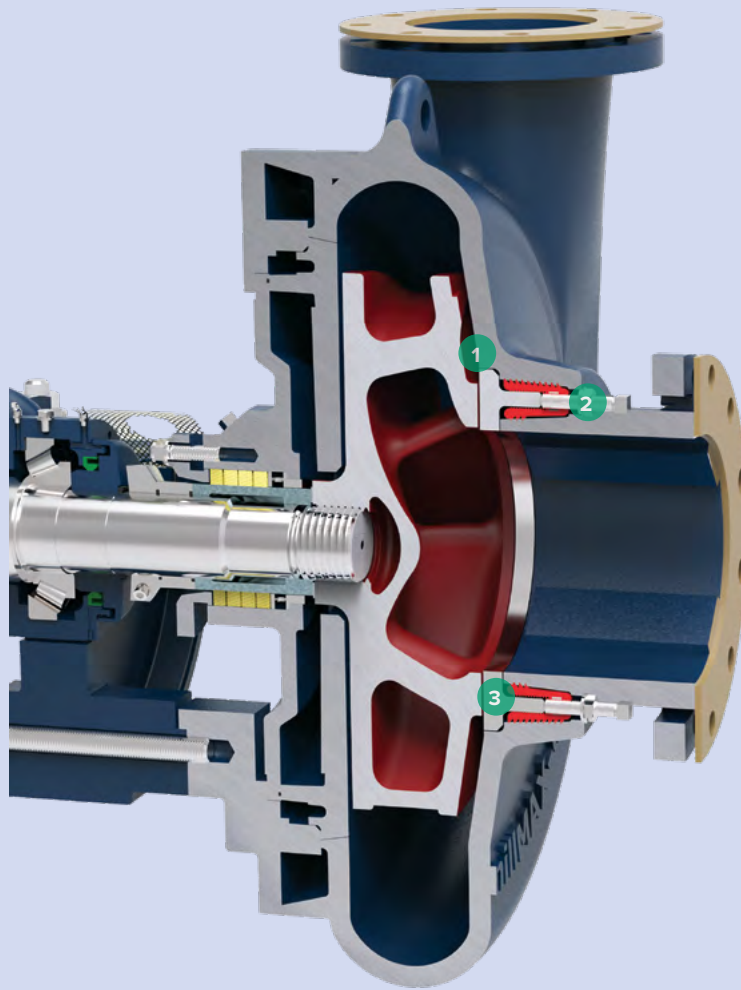
The millMAX-e™ has an optimized unlined wet end design that allows for easy maintenance. The addition of the patented KREBS® Pump Belt Tensioning system allows users to quickly change out v-belts without having to realign the sheaves.



Side-by-side comparison of the 8x6-24 millMAX™ to the 8x6-20 millMAX-e™

# Optimised millMAX™ design

We have optimised the millMAX™ design to bring increased wear life and higher efficiency to your plant processing application with our millMAX-e™ slurry pump.



1. The wide clearance between the impeller and suction side eliminates the mechanical grinding of solids.
2. The adjusting screw lock nut compresses the wear ring carrier to provide a seal to atmosphere and lock the jacking screw in place.
3. The externally adjustable wear ring closes the suction-side impeller clearance during operation to reduce recirculation and maintain hydraulic performance.

## The millMAX-e™ design includes the following

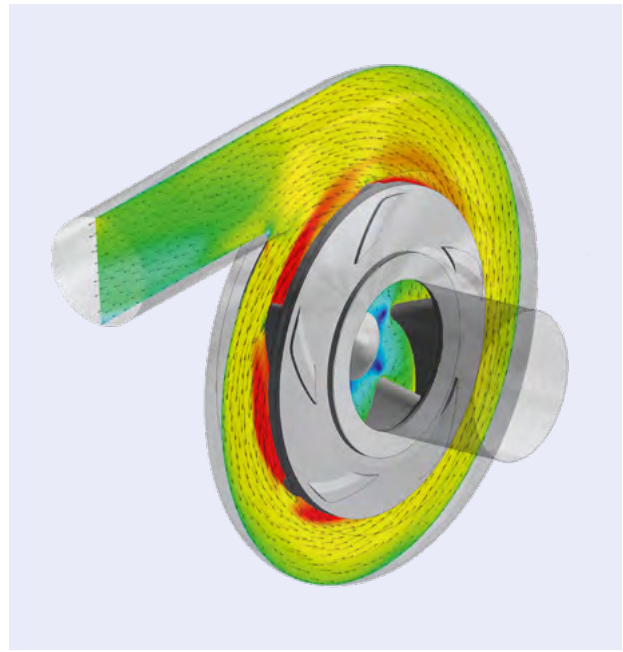
**Externally adjustable wear ring** – Closes the suction-side impeller clearance during operation. This reduces recirculation, while still allowing for a large gap between the impeller and suction liner which eliminates the grinding of solids.

**High efficiency impeller** – We used computational fluid to create the most efficient impeller in its class. See image on right.

**Reverse-taper roller bearings** – Designed to increase the effective load span and improve life. The pumping action of the taper rollers discharges grease to the outside, preventing ingress of slurry and eliminating possibility of failure due to over-greasing.

**Adjusting screw lock nut** – Compresses the wear ring carrier to provide an atmospheric seal and locks the jacking screw in place.

**Design and material options** – Heavy-duty thick outer casing available in a range of erosion and corrosion resistant alloys.



CFD Predictions of the velocity field



# The most efficient slurry pump in its class

## millMAX-e™ size range

Imperial units (in)	Metric units (mm)
2 x 1.5	50 x 40
3 x 2	80 x 50
4 x 3	100 x 80
6 x 4	150 x 100
8 x 6	200 x 150
10 x 8	250 x 200
12 x 10	300 x 250
14 x 12	350 x 300
16 x 14	400 x 350

### Ideal for applications in

- Mineral sands
- Alumina
- Solvent extraction
- Dilute media
- Gland water
- Fine coal
- All thickener overflow and tailings return water
- Other high efficiency applications



### Pump Sealing Options

- Water flush
- Centrifugal (expeller)
- Mechanical

### Easy Maintenance & Design Options

- Belt Tensioning System
- Explosion Protection System
- Back Pullout Slide Base

## KREBS® PCV Regional Global Sales

### FLSmidth Inc.

Tucson Operations  
Tucson, AZ USA  
Tel: +1 520 744 8200  
krebs@flsmidth.com

### FLSmidth Pty Ltd.

Welshpool  
Western Australia  
Tel: +61 8 6258 4800  
krebssaustralia@flsmidth.com

### FLSmidth - South Africa

Stormill, Randburg  
South Africa  
Tel: +27 0 10 210 4750  
krebssafrica@flsmidth.com

Learn more about our  
PCV product offerings

[KREBS® Slurry Pumps](#)

[KREBS® Cyclones](#)

[KREBS® Slurry Valves](#)

[KREBS® Vessels](#)

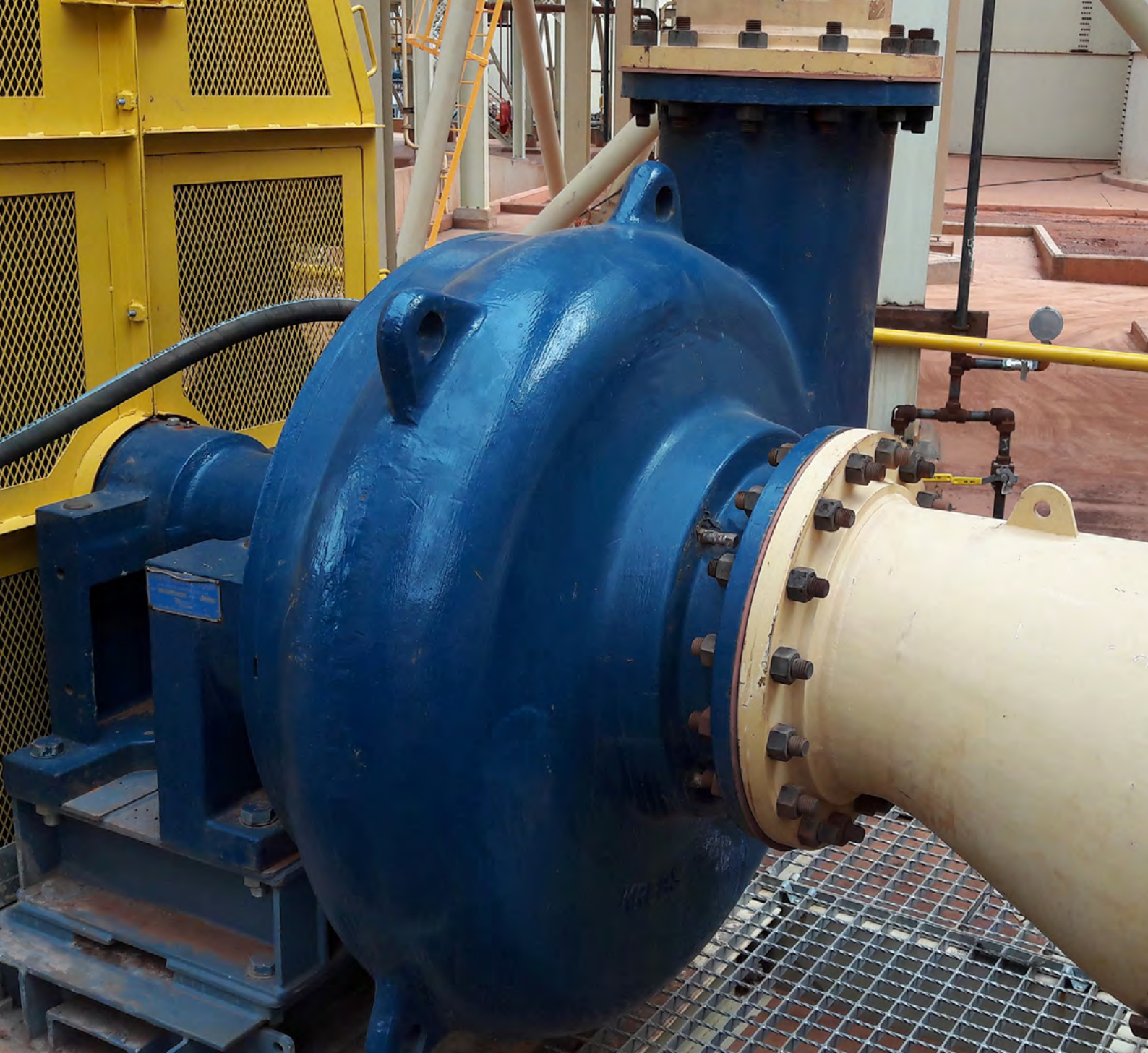
[KREBS® DeSanders](#)

### FLSmidth GmbH Austria

Neusiedl am See, Austria  
Tel: +43 2167 3345  
krebseurope@flsmidth.com

### FLSmidth - Chile

Santiago, Chile  
Tel: +56 2 2463 8350  
krebsschile@flsmidth.com



Advanced small slurry pump technology packs a punch with **higher efficiency, increased wear life and reliability**

**Follow us here**



[flsmidth.com/linkedin](https://flsmidth.com/linkedin)



[flsmidth.com/twitter](https://flsmidth.com/twitter)



[flsmidth.com/facebook](https://flsmidth.com/facebook)



[flsmidth.com/instagram](https://flsmidth.com/instagram)



[flsmidth.com/youtube](https://flsmidth.com/youtube)

**Contact us**

**FLSmidth A/S**

2500 Valby  
Denmark  
Tel. +45 36 18 10 00  
[info@flsmidth.com](mailto:info@flsmidth.com)

**FLSmidth Inc.**

Tucson Operations  
Tucson, AZ 85743  
USA  
Tel + 1 520-744-8200  
[krebs@flsmidth.com](mailto:krebs@flsmidth.com)



[flsmidth.eco/contact](https://flsmidth.eco/contact)

Copyright © 2023 FLSmidth A/S. All Rights Reserved. FLSmidth and FLS are (registered) trademarks of FLSmidth A/S. This brochure makes no offers, representations or warranties of any kind (express or implied), and information and data contained in this brochure are for general reference only and may change at any time. FLSmidth does not guarantee or make any representation regarding the use or the results of the information or the data provided in the brochure in terms of its correctness, accuracy, reliability or otherwise, and shall not be liable for any loss or damage of any kind incurred as a result of the use of the information or data provided in the brochure.