



M 02-23 0000-47-ENG

Product datasheet

kubria® Cone Crusher F/M 150

Advanced technology for secondary crushing

The kubria® Cone Crusher crushes hard rock by compressive forces between the crusher shell and the mantle. Its crushing chamber is designed to your specifications and can be adapted to new tasks. This design allows a greater variety of feed materials and enables you to manufacture customised products. The Kubriamatic is a compact reliable control and monitoring system especially designed for our Cone Crushers.

Flexible secondary crushing

Optimised crushing chamber

- High throughput rates with high degree of finished product
- Excellent reduction ratio
- Production of material with optimal cubic shape
- Low operating and wear costs
- Feed opening and geometry of crushing chamber can be simply modified by crushing rings and appropriate adapters

Hydraulic main shaft adjustment

- Electrohydraulic adjustment of crushing gap with stroke measurement
- Protection system for automatic tramp release

Kubriamatic system

- Simple check of the wear status of the crushing chamber
- Automatic gap adjustment and control, even under load
- Control and interlocking of all machine parameters and auxiliary systems

Hydrostatic bearing

- Suitable for extremely hard materials and high crushing forces
- Particularly efficient in combination with a flat crushing chamber

kubria® Cone Crusher F/M 150

Drive concept

- V-belt drive
- Cyclo-palloid toothing of bevel gear for smooth operation
- Good accessibility

Maintenance friendly design

- Easy access to all heavy components from above

Multi-sectional design of main frame shells

- Solid, weight-optimized design

Automatic grease lubrication unit

- Reliable lubrication of upper main shaft bearing

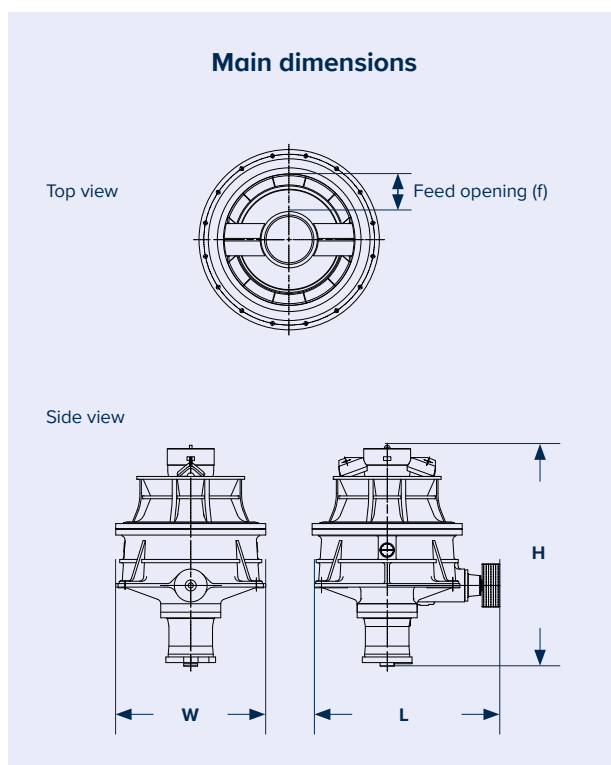
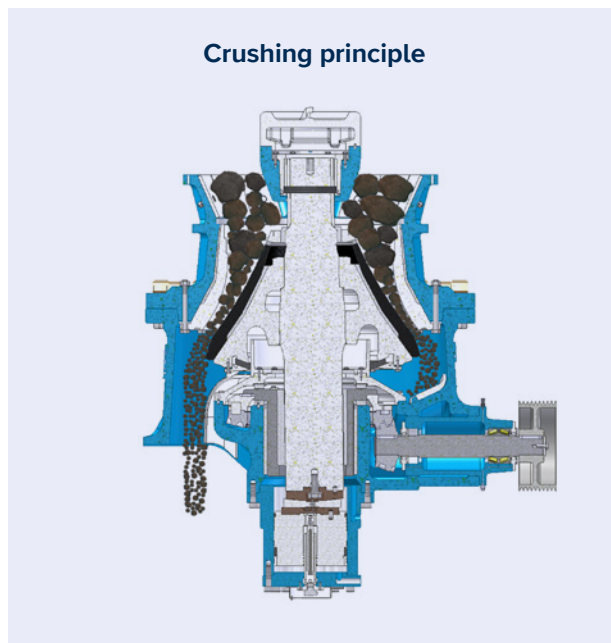
Technical specification

General data	
Materials	Granite, basalt, iron ore etc.
Maximum feed size	Up to 240 mm edge length
Product size	0 – 16 mm 0 – 22 mm 0 – 32 mm
Capacity	0 – 16 mm: Up to 260 tph 0 – 22 mm: Up to 360 tph 0 – 32 mm: Up to 450 tph

Crusher	
Type of Cone Crusher	kubria® 150
Version	F/M (Fine/Middle)
Crushing chamber	Optimised according to crushing task
Lower cone diameter	1,500 mm
Feed opening (f)	Max. 300 mm
Gap setting (Closed Side Setting)	13 – 45 mm
Control and monitoring system	Kubriamatic
Main dimensions (l x w x h)	2,955 mm x 2,500 mm x 3,468 mm
Total weight*	Up to 33 mt

Drive	
Drive concept	V-belt
Motor power	Up to 315 kW

* Weights indicated do not include drive unit, electrics, controls and hydraulics



FLSmidth A/S
2500 Valby
Denmark
Tel. +45 3618 1000
info@flsmidth.com

www.flsmidth.com

FLSmidth Inc.
Salt Lake City Operations
Midvale, UT 84047-5559
USA
Tel. +1 801 871 7000
info.sl@flsmidth.com

FLSmidth Mining Technologies GmbH
Ennigerloh Operations
59320 Ennigerloh
Germany
Tel. +49 201 828 3000
mining-technologies@flsmidth.com

Copyright © 2023 FLSmidth A/S. All Rights Reserved. FLSmidth and FLS are (registered) trademarks of FLSmidth A/S. This brochure makes no offers, representations or warranties (express or implied), and information and data contained in this brochure are for general reference only and may change at any time.