



M 02-23 0000-46-ENG

Product datasheet

kubria® Cone Crusher F 210

High-performance, low maintenance crushing technology

We act on your specific requirements and adapting our systems to suit the material to be crushed and the product size required. When you need the highest availability and first-class product quality, the kubria® Cone Crusher is the technology of choice. This mining crusher delivers a consistent product at maximum throughput.

Flexible secondary crushing

Optimised crushing chamber

- High throughput rates with high degree of finished product
- Excellent reduction ratio
- Production of material with optimal cubic shape
- Low operating and wear costs
- Feed opening and geometry of crushing chamber can be simply modified by crushing rings and appropriate adapters

Hydraulic main shaft adjustment

- Electrohydraulic adjustment of crushing gap with stroke measurement
- Protection system for automatic tramp release

Kubriamatic system

- Simple check of the wear status of the crushing chamber
- Automatic gap adjustment and control, even under load
- Control and interlocking of all machine parameters and auxiliary systems

Hydrostatic bearing

- Suitable for extremely hard materials and high crushing forces
- Particularly efficient in combination with a flat crushing chamber

kubria® Cone Crusher F 210

Drive concept

- Direct or V-belt drive
- Cyclo-palloid toothing of bevel gear for smooth operation
- Good accessibility

Maintenance friendly design

- Easy access to all heavy components from above

Multi-sectional design of main frame shells

- Solid, weight-optimised design

Automatic grease lubrication unit

- Reliable lubrication of upper main shaft bearing

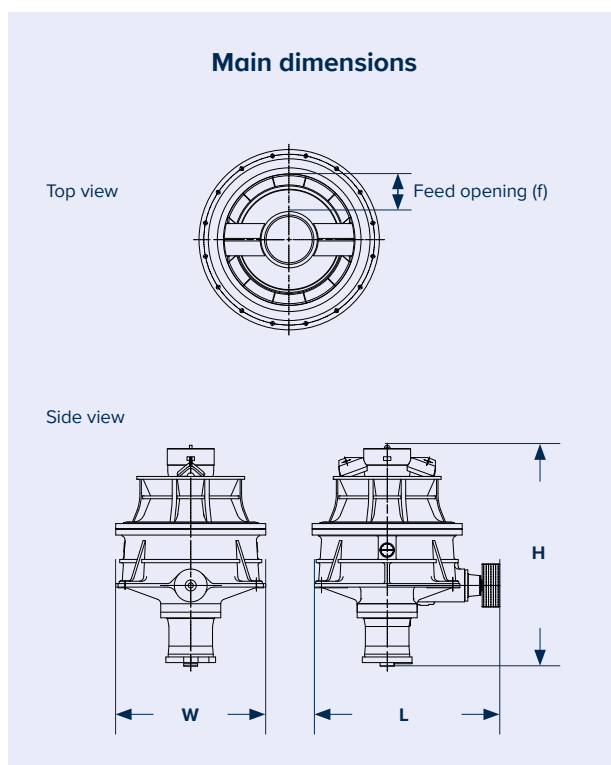
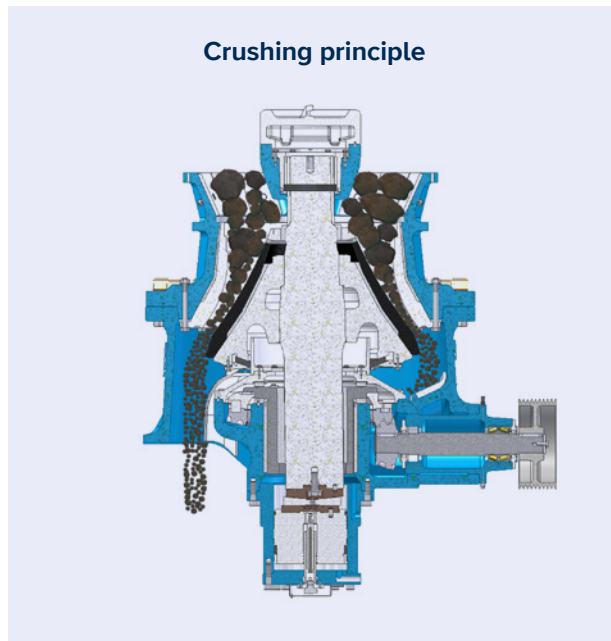
Technical specification

General data	
Materials	Granite, basalt, iron ore etc.
Maximum feed size	Up to 200 mm edge length
Product size	0 – 16 mm 0 – 22 mm 0 – 32 mm
Capacity	0 – 16 mm: Up to 360 tph 0 – 22 mm: Up to 470 tph 0 – 32 mm: Up to 550 tph

Crusher	
Type of Cone Crusher	kubria® 210
Version	F (Fine)
Crushing chamber	Optimised according to crushing task
Lower cone diameter	2,100 mm
Feed opening (f)	Max. 250 mm
Gap setting (Closed Side Setting)	10 – 25 mm
Control and monitoring system	Kubriamatic
Main dimensions (l x w x h)	3,866 mm x 3,200 mm x 4,711 mm
Total weight*	Up to 74 mt

Drive	
Drive concept	Direct or V-belt
Motor power	Up to 600 kW

* Weights indicated do not include drive unit, electrics, controls and hydraulics



FLSmidth A/S
2500 Valby
Denmark
Tel. +45 3618 1000
info@flsmidth.com

www.flsmidth.com

FLSmidth Inc.
Salt Lake City Operations
Midvale, UT 84047-5559
USA
Tel. +1 801 871 7000
info.sl@flsmidth.com

FLSmidth Mining Technologies GmbH
Ennigerloh Operations
59320 Ennigerloh
Germany
Tel. +49 201 828 3000
mining-technologies@flsmidth.com

Copyright © 2023 FLSmidth A/S.
All Rights Reserved. FLSmidth and FLS are (registered) trademarks of FLSmidth A/S. This brochure makes no offers, representations or warranties (express or implied), and information and data contained in this brochure are for general reference only and may change at any time.